

Three-Lobed Knobs

Stainless Steel, Hygienic Design

SPECIFICATION

Stainless steel AISI 316L

- Matte finish (Ra < 0,8 µm) **MT**
- Polished finish (Ra < 0,8 µm) **PL**

Sealing ring

- H-NBR **H**
Temperature resistant -25 °C to +150 °C
- EPDM **E**
Temperature resistant -40 °C to +120 °C
- Blue
- Hardness 85±5 Shore A
- FDA compliant

INFORMATION

Three-lobed knobs GN 5445 are intended for use in hygienic areas. The sealed mounting surface enables fastening without dead spaces. The high quality finish as well as the large corner radii and closed surfaces prevent adherence of dirt and facilitate cleaning.

ACCESSORY

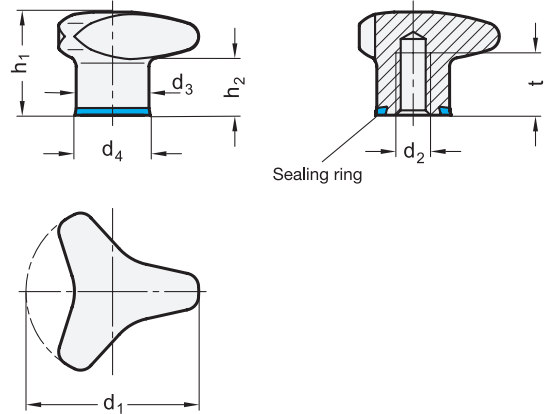
- Sealing Rings GN 7600 (see page)

ON REQUEST

- with FKM sealing ring (Fluorine rubber) **F**

TECHNICAL INFORMATION

- Plastic Characteristics (see page A2)
- Stainless Steel Characteristics (see page A26)



GN 5445-H

STAINLESS STEEL

Description	d1	d2	d3	d4	h1	h2	t min.	ΔΔ
GN 5445-40-M6-MT-H	40	M 6	18	18.8	26	15	12	75
GN 5445-40-M6-PL-H	40	M 6	18	18.8	26	15	12	75
GN 5445-40-M8-MT-H	40	M 8	18	18.8	26	15	15	71
GN 5445-40-M8-PL-H	40	M 8	18	18.8	26	15	15	71
GN 5445-50-M8-MT-H	50	M 8	21	21.8	30	17	15	121
GN 5445-50-M8-PL-H	50	M 8	21	21.8	30	17	15	121
GN 5445-50-M10-MT-H	50	M 10	21	21.8	30	17	18	117
GN 5445-50-M10-PL-H	50	M 10	21	21.8	30	17	18	117

GN 5445-E

STAINLESS STEEL

Description	d1	d2	d3	d4	h1	h2	t min.	ΔΔ
GN 5445-40-M6-MT-E	40	M 6	18	18.8	26	15	12	75
GN 5445-40-M6-PL-E	40	M 6	18	18.8	26	15	12	75
GN 5445-40-M8-MT-E	40	M 8	18	18.8	26	15	15	71
GN 5445-40-M8-PL-E	40	M 8	18	18.8	26	15	15	71
GN 5445-50-M8-MT-E	50	M 8	21	21.8	30	17	15	121
GN 5445-50-M8-PL-E	50	M 8	21	21.8	30	17	15	121
GN 5445-50-M10-MT-E	50	M 10	21	21.8	30	17	18	117
GN 5445-50-M10-PL-E	50	M 10	21	21.8	30	17	18	117